


ANT S.r.l. Via della Concordia, 4 – 37036 S. Martino B/A (VR) - Italia Tel. +39 045 8781380 Fax +39 045 8795335 e-mail: commerciale@antsrl.eu www.antsrl.eu	DESCRIPTION	
	868/915MHz – 4G/LTE colinear antenna suitable for application 868/915MHz (LoRa, LoRaWAN, Sigfox, ISM), GSM-GPRS 900/1800MHz, 3G-UMTS 2100MHz, WiFi 2,4GHz, 4G-LTE / 5G (Bands 1, 2, 3, 7, 8, 20)	

Ora-2-868-LTE (bracket and cable Lloss 10m)
Ora-2-868-LTE (bracket and cable Lloss 3m)

P/N: **M07-026**
P/N: **M07-040**

ELECTRICAL DATA

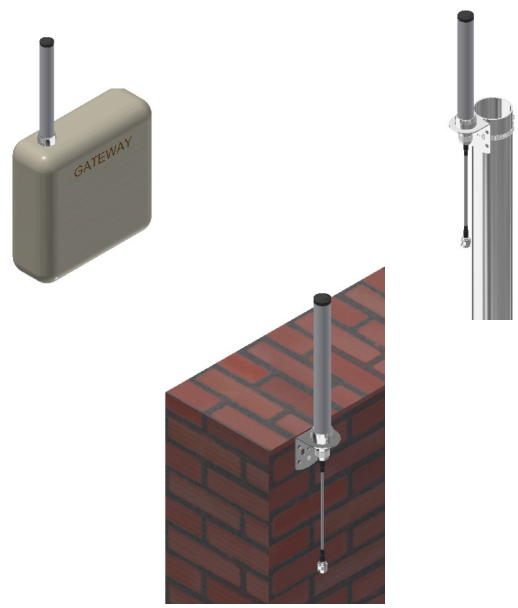
Frequency range (V.S.W.R. < 2.5 : 1)	790-960 / 1710-2170 / 2400-2690 MHz
Impedance:	50 Ω
V.S.W.R. 698-960 MHz:	< 2,5 : 1
V.S.W.R. 1710-2170 MHz:	< 2 : 1
V.S.W.R. 2400-2690 MHz:	< 2 : 1
Max power:	5 W
Polarisation:	Linear
Radiation:	omnidirectional
Gain:	2.15 dBi

MECHANICAL DATA

Dimensions (approx):	Ø25x200 mm (Base Ø33mm)
Connection:	N socket (on antenna) SMA plug (on cable)
Cable:	Lowloss Ø5mm 3 or 10m
Operating temperature range:	-30° / +80°C
Weight: (approx):	0.3 kg (antenna)
Radiating element material:	Brass
Radome material:	Fiberglass Ø25 mm
Accessories:	Supports for mounting on wall / pole




TYPICAL INSTALLATION MODES



Protection against oxydation: The antenna is designed to withstand the worst climatic conditions and so that the oxydation of its parts is prevented, with its components being made of raw materials resistant to external environmental agents.
Protection against accidental hits: The antenna is designed so that persons are protected from accidental hits against its projecting parts.
RoHS Directive: The antenna complies with the RoHS Directive and its subsequent.

MOUNTING INSTRUCTIONS:

Please mount the antenna on bracket or support with a Ø16mm hole and max thickness of 3.5mm. The antenna is provided of sealing gasket for IP67 protection.

ANT S.r.l. Via della Concordia, 4 – 37036 S. Martino B/A (VR) - Italia Tel. +39 045 8781380 Fax +39 045 8795335 e-mail: commerciale@antsrl.eu www.antsrl.eu	DESCRIPTION	
	868/915MHz – 4G/LTE colinear antenna suitable for application 868/915MHz (LoRa, LoRaWAN, Sigfox, ISM), GSM-GPRS 900/1800MHz, 3G-UMTS 2100MHz, WiFi 2,4GHz, 4G-LTE / 5G (Bands 1, 2, 3, 7, 8, 20)	

Ora-2-868-LTE (bracket and cable Lloss 10m)
Ora-2-868-LTE (bracket and cable Lloss 3m)

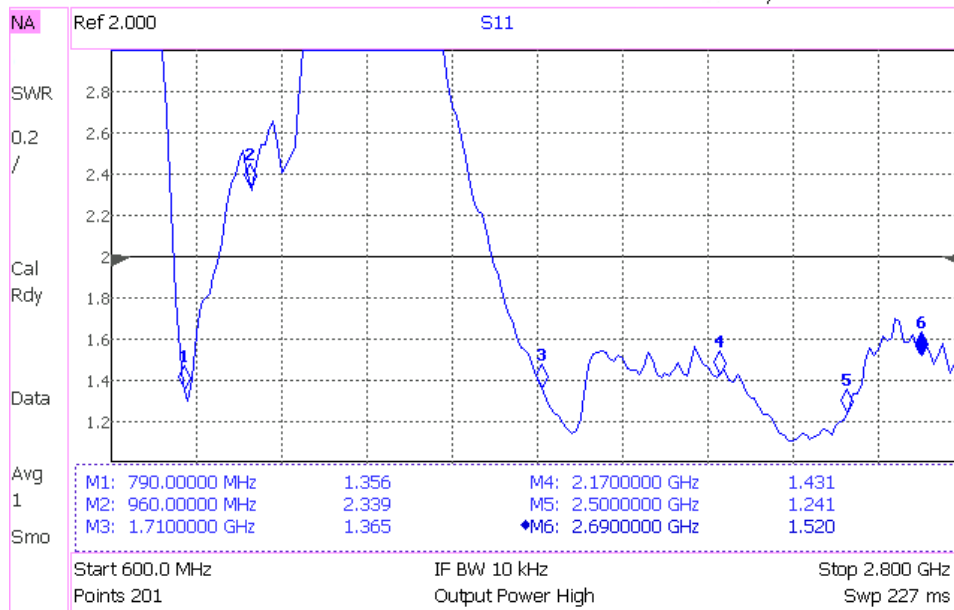
P/N: **M07-026**
P/N: **M07-040**

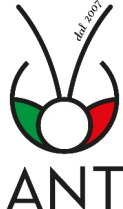
VSWR Patterns

(antenna with bracket and 3m lowloss cable)

Keysight Technologies

Tue, 15 Jun 2021 10:26



ANT S.r.l. Via della Concordia, 4 – 37036 S. Martino B/A (VR) - Italia Tel. +39 045 8781380 Fax +39 045 8795335 e-mail: commerciale@antsrl.eu www.antsrl.eu	DESCRIPTION		
	868/915MHz – 4G/LTE colinear antenna suitable for application 868/915MHz (LoRa, LoRaWAN, Sigfox, ISM), GSM-GPRS 900/1800MHz, 3G-UMTS 2100MHz, WiFi 2,4GHz, 4G-LTE / 5G (Bands 1, 2, 3, 7, 8, 20)		

Ora-2-868-LTE (bracket and cable Lloss 10m)

P/N: **M07-026**

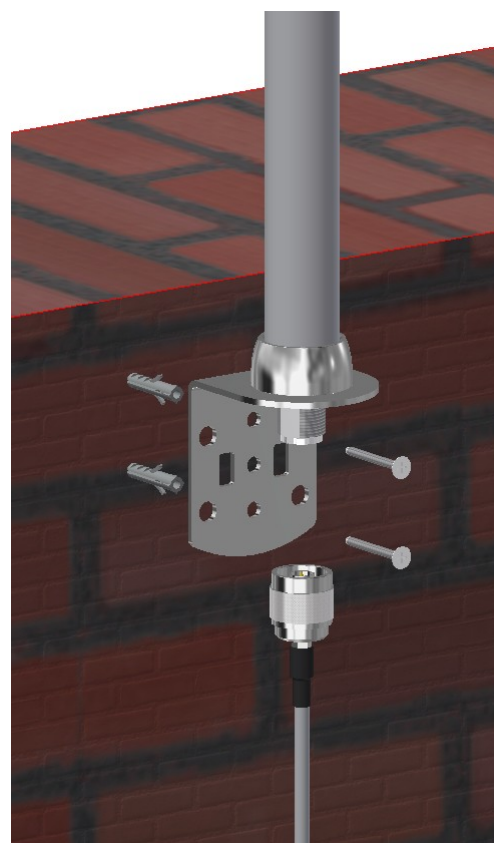
Ora-2-868-LTE (bracket and cable Lloss 3m)

P/N: **M07-040**

MOUNTING ON POLE Ø30-200mm



MOUNTING ON WALL



ITS NAME:

*The **ORA** wind originates in the Po valley and blows over the Garda Lake. It is a permanent wind typically blowing in the afternoon through sunset, especially on the Upper Lake in the summertime, when it blows more strongly. The Lower Lake is mostly immune, with the exception of a few summer early mornings, when it brings clouds and is an omen of weather worsening.*

Its speed does not exceed 8 m/s, except for in its ending segment between Malcesine and Riva, where the Ora slowly gains speed and reaches up to 15 m/s.