

ANT S.r.l.

Via della Concordia, 4 –
37036
S. Martino B/A (VR) - Italia
Tel. +39 045 8781380
Fax +39 045 8795335
e-mail:
commerciale@antsrl.eu
www.antsrl.eu

DESCRIPTION

1/2-wave dipole antenna with insulated base
Omnidirectional antenna with radiating elements
isolated from the outside of the antenna radome.
Antenna body with slots for wall mounting
RG316 cable with SMA male connection



Box 2.4-5GHz
Box 2.4GHz

P/N: L05-001
P/N: L05-002

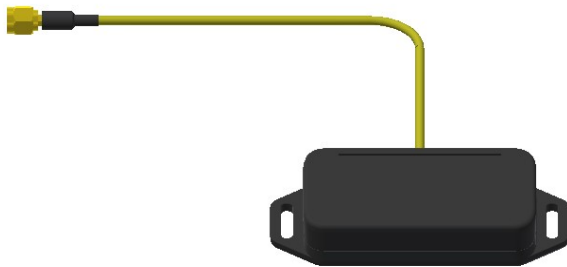
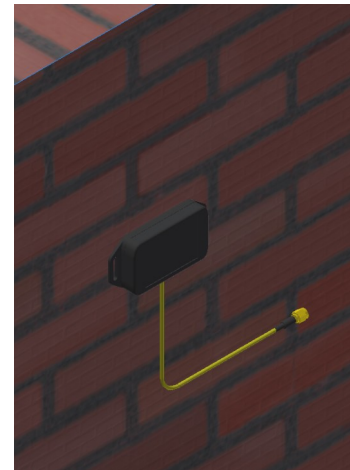
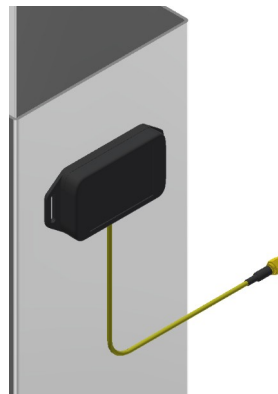
ELECTRICAL DATA

| | |
|-------------------------------|-----------------|
| Box 2.4GHz | |
| Frequency range (VSWR <1.5:1) | 2400-2500 MHz |
| Box 2.4/5GHz | |
| Frequency range (VSWR <1.5:1) | 2400-2500 MHz |
| Frequency range (VSWR <2.3:1) | 5100-5900 MHz |
| Impedance: | 50 Ω |
| Max power: | 10 W |
| Polarisation: | Linear |
| Radiation: | Omnidirectional |
| Gain 2.4GHz | >2.5 dBi |
| Gain 2.4GHz * | >7 dBi * |
| Gain 5.5GHz | >4 dBi |
| Gain 5.5GHz * | >8.5 dBi * |

*with antenna mounted on metallic surface

MECHANICAL DATA

| | |
|-----------------------------|---|
| Dimensions (about): | Ø30x60 mm |
| Weight (about): | 0.050 kg |
| Connector: | SMA male Reverse Polarity (other on request) |
| Cable: | RG316 1.2m (other on request) |
| Operating temp: | -35° / +80°C |
| Radiating element material: | Copper |
| IP grade: | IP40 (IP65 on request) |

MOUNTING ON BOX**MOUNTING ON WALL OR METALLIC SURFACE****Insulated antenna:**

The antenna is galvanically isolated from the installation support (box, pole o wall) on which it is mounted.

Protection against oxidation: the antenna is designed to be able to withstand the worst climatic conditions, and so that the oxidation of its parts is prevented with the plastic parts made of raw materials resistant to external environmental agents.

Protection against accidental hits: the antenna is designed so that persons are protected from accidental hits against its projecting parts.

RoHS Directive: The antenna complies with the RoHS Directive and its subsequent.

MOUNTING INSTRUCTIONS:

Please install the antenna through its slots.

WARNING::

Performance might change depending on the environment in which the antenna is installed. It is advisable to perform a performance check in order to find the best position before applying the antenna.

ANT S.r.l.

Via della Concordia, 4 –
37036
S. Martino B/A (VR) - Italia
Tel. +39 045 8781380
Fax +39 045 8795335
e-mail:
commerciale@antsrl.eu
www.antsrl.eu

DESCRIPTION

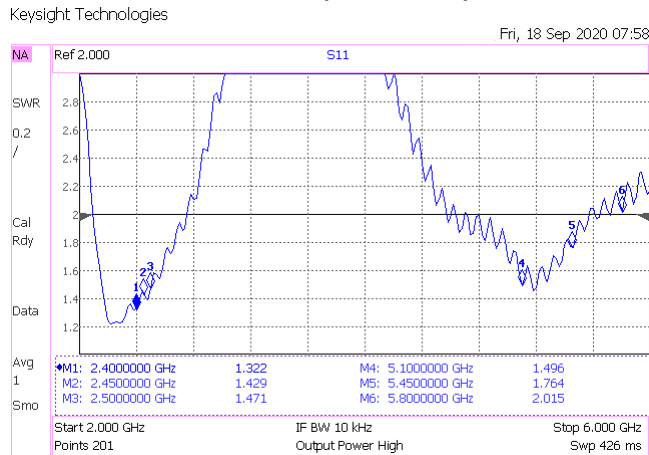
1/2-wave dipole antenna with insulated base
Omnidirectional antenna with radiating elements
isolated from the outside of the antenna radome.
Antenna body with slots for wall mounting
RG316 cable with SMA male connection



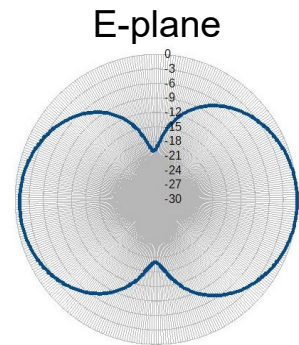
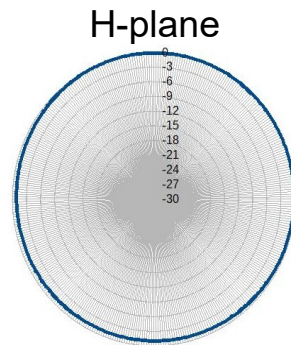
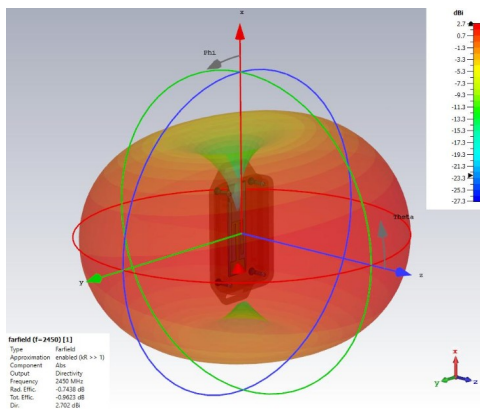
Box 2.4-5GHz
Box 2.4GHz

P/N: L05-001
P/N: L05-002

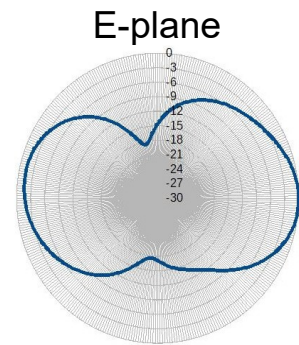
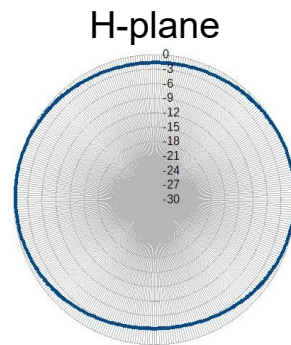
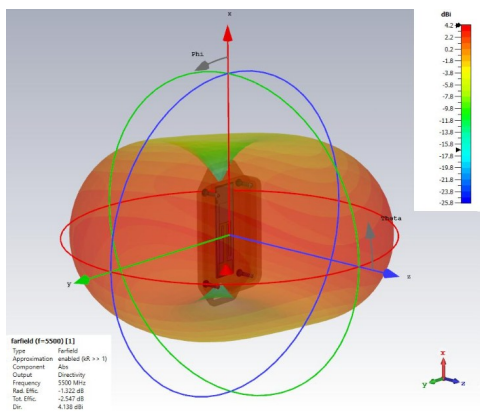
VSWR (in the air)



In the air - frequency 2.45GHz



In the air - frequency 5.5GHz



ANT S.r.l. si riserva di apportare modifiche e miglioramenti in qualsiasi momento senza obbligo di preavviso
ANT S.r.l. reserves the right to change or improve this documentation at all times and without notice.

ANT S.r.l.

Via della Concordia, 4 –
37036
S. Martino B/A (VR) - Italia
Tel. +39 045 8781380
Fax +39 045 8795335
e-mail:
commerciale@antsrl.eu
www.antsrl.eu

DESCRIPTION

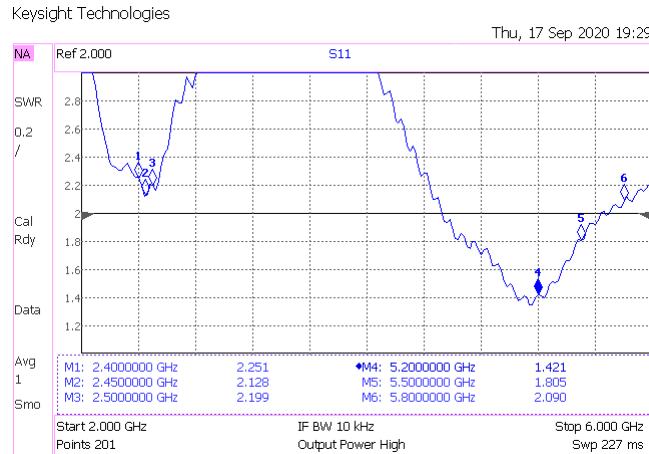
1/2-wave dipole antenna with insulated base
Omnidirectional antenna with radiating elements
isolated from the outside of the antenna radome.
Antenna body with slots for wall mounting
RG316 cable with SMA male connection



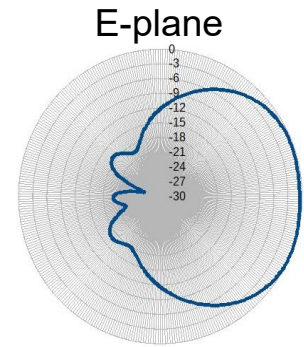
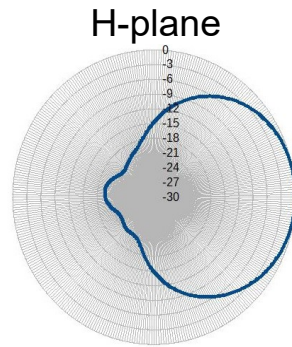
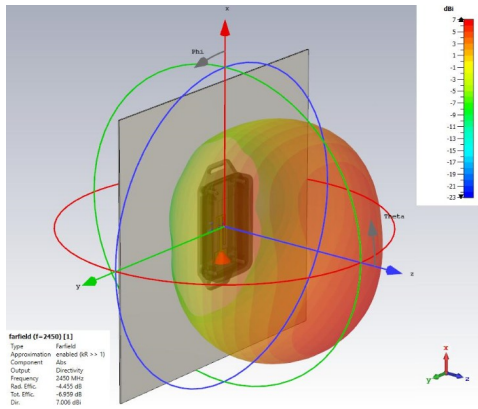
Box 2.4-5GHz
Box 2.4GHz

P/N: L05-001
P/N: L05-002

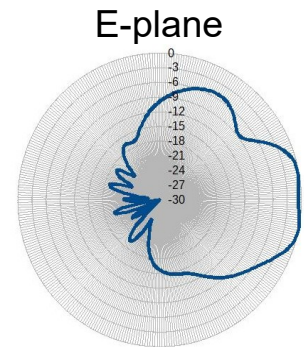
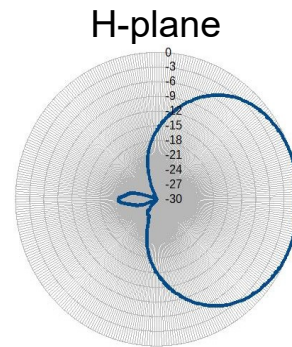
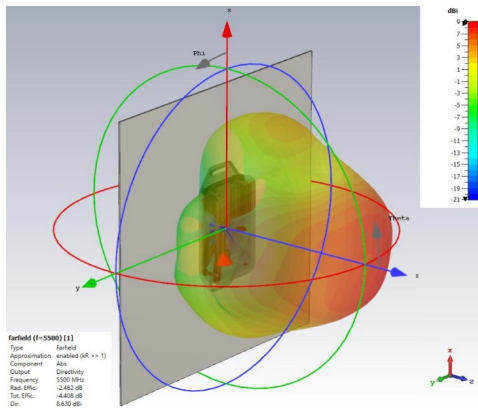
VSWR (On metal surface)



On metal surface - frequency 2.45GHz



On metal surface - frequency 5.5GHz



ANT S.r.l. si riserva di apportare modifiche e miglioramenti in qualsiasi momento senza obbligo di preavviso
ANT S.r.l. reserves the right to change or improve this documentation at all times and without notice.

ANT S.r.l.

Via della Concordia, 4 –
37036
S. Martino B/A (VR) - Italia
Tel. +39 045 8781380
Fax +39 045 8795335
e-mail:
commerciale@antsrl.eu
www.antsrl.eu

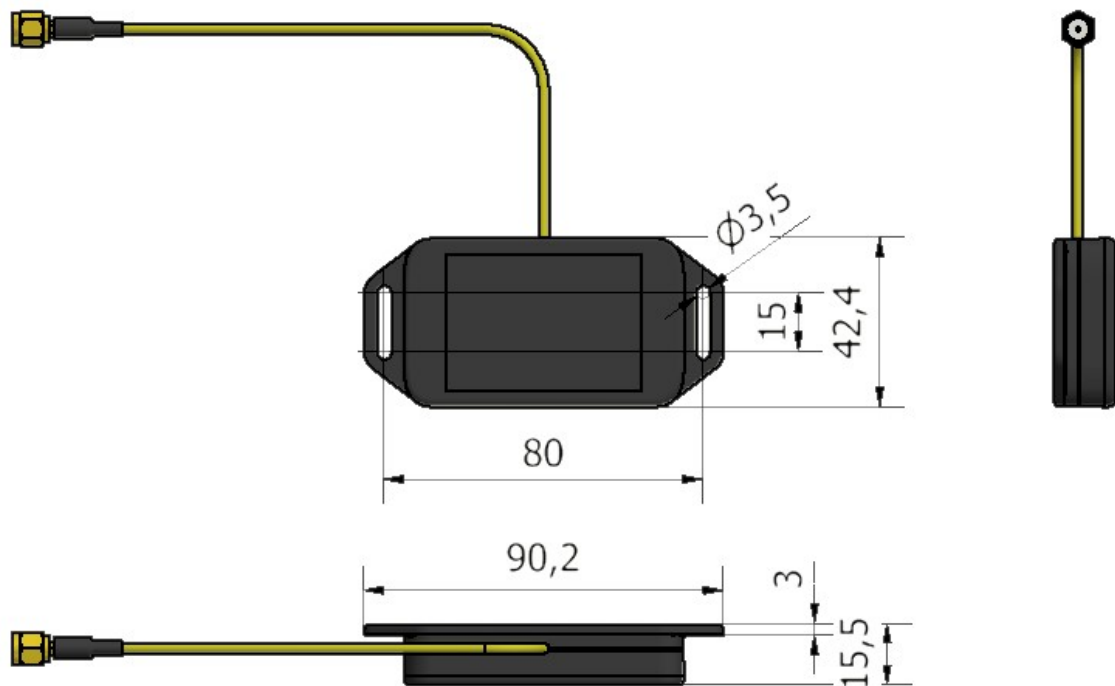
DESCRIPTION

1/2-wave dipole antenna with insulated base
Omnidirectional antenna with radiating elements
isolated from the outside of the antenna radome.
Antenna body with slots for wall mounting
RG316 cable with SMA male connection



Box 2.4-5GHz
Box 2.4GHz

P/N: L05-001
P/N: L05-002

DIMENSIONS**DRILLING JIG**