

ANT S.r.l. Via della Concordia, 4 – 37036 S. Martino B/A (VR) - Italia Tel. +39 045 8781380 Fax +39 045 8795335 e-mail: commerciale@antsrl.eu www.antsrl.eu	DESCRIPTION	
	868-915 MHz 5/8 wave antenna suitable for applications in LoRa, LoRaWAN, Sigfox, ISM	

Harmattan 5/8 868-915 (1m cable)
Harmattan 5/8 868-915 (3m cable)

P/N: H06-000
P/N: H06-001

ELECTRICAL DATA

Frequency range:
(V.S.W.R. < 2 : 1) 825 / 910 MHz
(915 MHz on demand)

Impedance: 50 Ω

V.S.W.R.: < 2 : 1

Max power: 15 W

Polarisation: Linear

Radiation: Omnidirectional

Gain: 5 dBi

MECHANICAL DATA

Dimensions (about): 470x150x85 mm

Connection: SMA plug (other on request)

Cable: 1 m RG58 (other on request)

Operating Temperature: -35° / +80°C

Weight (about): 0.250 kg

Radiating element material: Whip of steel and brass,
overmoulded and covered with
thermoretractable sheath.

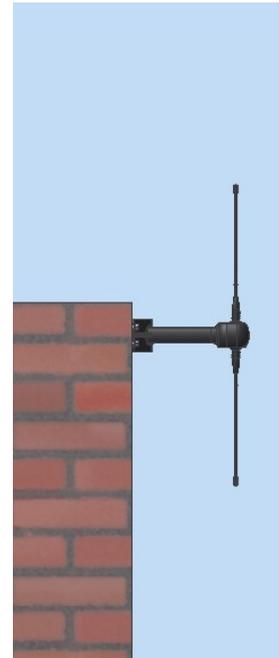
Accessories: Bracket for pole mounting (for
poles min Ø 40 mm (1.1/4 inch)
max Ø 60 mm (2 inches)



ON POLE



ON WALL



Protection against oxidation:

the antenna is designed to be able to withstand the worst climatic conditions, and so that the oxidation of its parts is prevented with the plastic parts made of raw materials resistant to external environmental agents.

Protection against accidental hits:

the antenna is designed so that persons are protected from accidental hits against its projecting parts.

RoHS Directive:

The antenna complies with the RoHS Directive and its subsequent.

MOUNTING INSTRUCTIONS:

Wall mounting: Please use 4 plugs for Ø5 mm holes in their dedicated seats.

Pole mounting: please use the provided bracket for a for a pole of Ø min. 40 mm (1.1/4 inch) and max. 60 mm (2 inches). An additional kit including stainless steel bracket for poles of Ø min. 40 mm (1.1/4 inch) and max. 200 mm (8 inches) is available.

ANT S.r.l.

Via della Concordia, 4 – 37036
S. Martino B/A (VR) - Italia
Tel. +39 045 8781380
Fax +39 045 8795335
e-mail: commerciale@antsrl.eu
www.antsrl.eu

DESCRIPTION

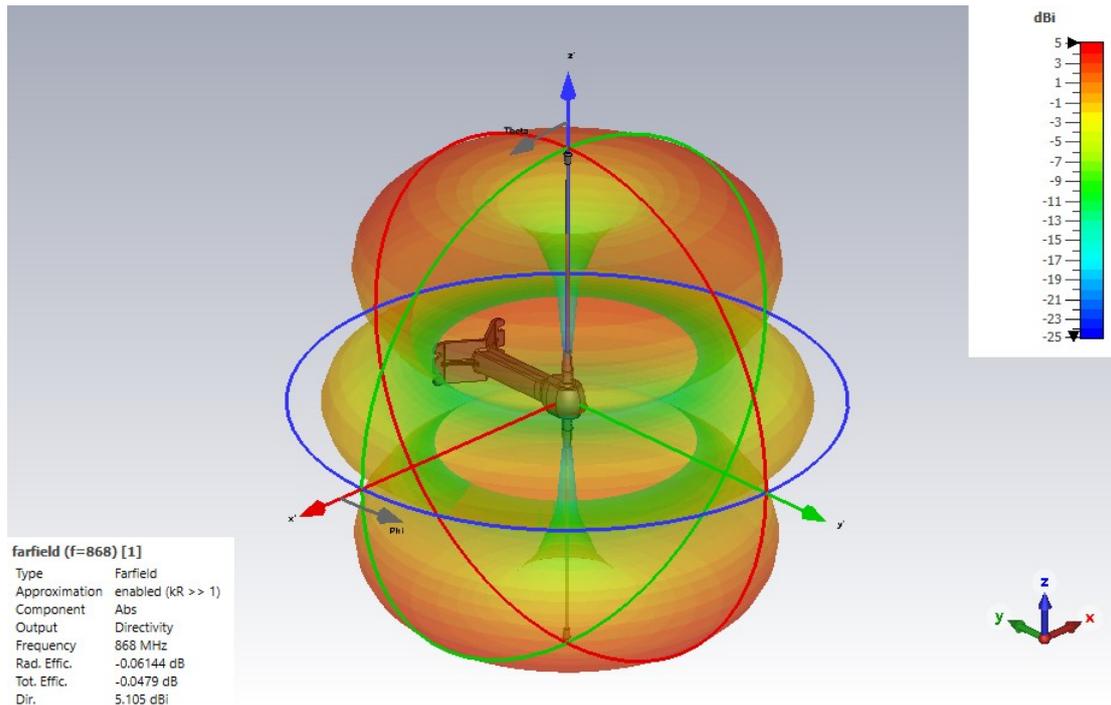
868-915 MHz 5/8 wave antenna
suitable for applications in
LoRa, LoRaWAN, Sigfox, ISM



Harmattan 5/8 868-915 (1m cable)
Harmattan 5/8 868-915 (3m cable)

P/N: H06-000
P/N: H06-001

3D radiation simulation

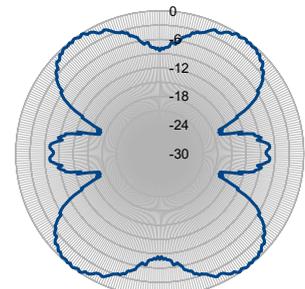
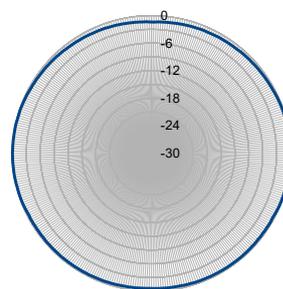
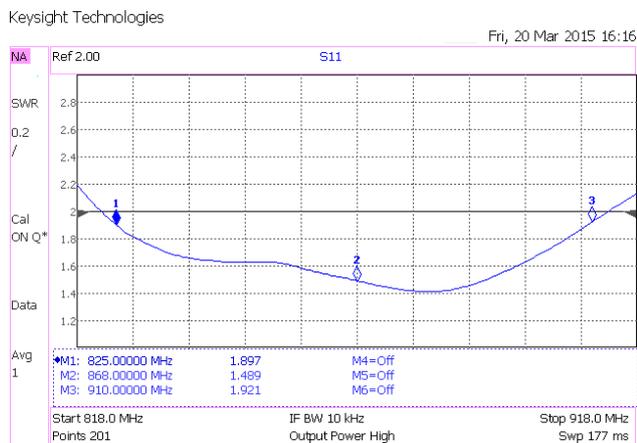


Radiating Pattern

VSWR

H-plane

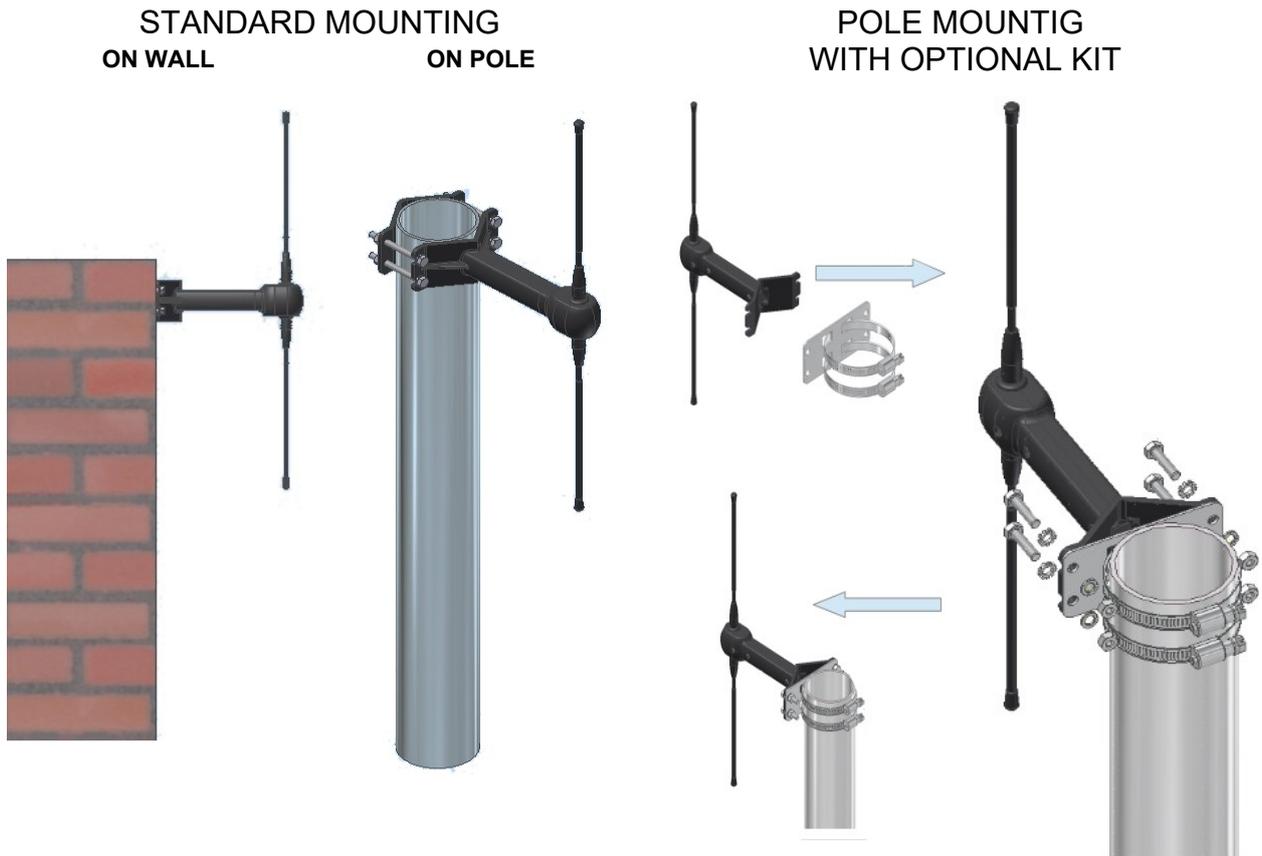
E-plane



ANT S.r.l. Via della Concordia, 4 – 37036 S. Martino B/A (VR) - Italia Tel. +39 045 8781380 Fax +39 045 8795335 e-mail: commerciale@antsrl.eu www.antsrl.eu	DESCRIPTION	
	868-915 MHz 5/8 wave antenna suitable for applications in LoRa, LoRaWAN, Sigfox, ISM	

Harmattan 5/8 868-915 (1m cable)
Harmattan 5/8 868-915 (3m cable)

P/N: H06-000
P/N: H06-001



ITS NAME

Harmattan is a cool, dry, dusty wind blowing from the Sahara Desert throughout the Gulf of Guinea and the Islands of Cape Verde. It is often referred to as the "Doctor" due to its alleged healthy properties.