

ANT S.r.l.

Via della Concordia, 4 – 37036
 S. Martino B/A (VR) - Italia
 Tel. +39 045 8781380
 Fax +39 045 8795335
 e-mail: commerciale@antsrl.eu
www.antsrl.eu

DESCRIPTION

**Vehicular 4 array MIMO antenna,
 in band 5G, frequency range
 3.4-3.6 GHz, 3.6-3.8 GHz e 4.5-4.7 GHz**



Boreas 3.5 GHz
Boreas 3.7 GHz
Boreas 4.6 GHz

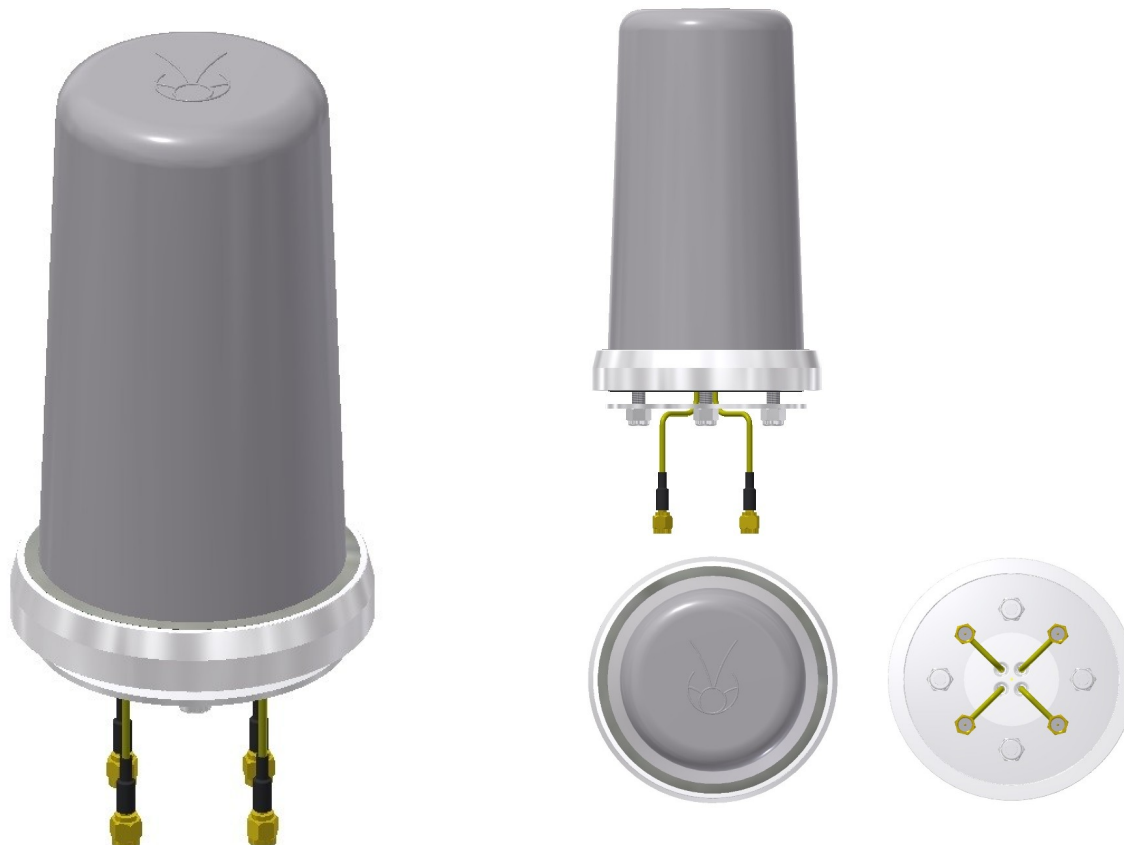
P/N: E21-000
P/N: E20-000
P/N: E30-000

ELECTRICAL DATA

Frequency range	
Boreas 3.5 GHz:	3400-3600 MHz
Boreas 3.7 GHz:	3600-3800 MHz
Boreas 4.6 GHz:	4500-4700 MHz
Impedance:	50 Ω
V.S.W.R.:	2.0 : 1
Max power:	10 W x4
Polarisation:	Dual-polarisation, slant ±45°
Radiation:	See patterns
Gain:	about 6 dBi

MECHANICAL DATA

Dimensions (about):	Ø105x170 mm
Connection:	4xSMA plug
Cable:	Ø5mm low loss, length 2m
Operating temperature range:	-30° / +80°C
Weight (about):	0.65 kg
Radiating element material:	Copper + gold-plating
Radome material:	ABS ASA, RAL7035 gray
Mounting surface thickness:	up to 6 mm (for higher thicknesses please contact us)



RoHS Directive: The antenna complies with the RoHS Directive and its subsequent.

MOUNTING INSTRUCTION:

Please use the provided drilling jig.
 Please note the mounting surface should be
 max 6 mm thick (for thicker surfaces please
 contact us)

L'azienda produttrice si riserva di apportare modifiche e miglioramenti in qualsiasi momento senza obbligo di preavviso
 The manufacturer reserves the right to change or improve this documentation at all times and without notice.

ENG-Rev. 2

ANT S.r.l.

Via della Concordia, 4 – 37036
 S. Martino B/A (VR) - Italia
 Tel. +39 045 8781380
 Fax +39 045 8795335
 e-mail: commerciale@antsrl.eu
www.antsrl.eu

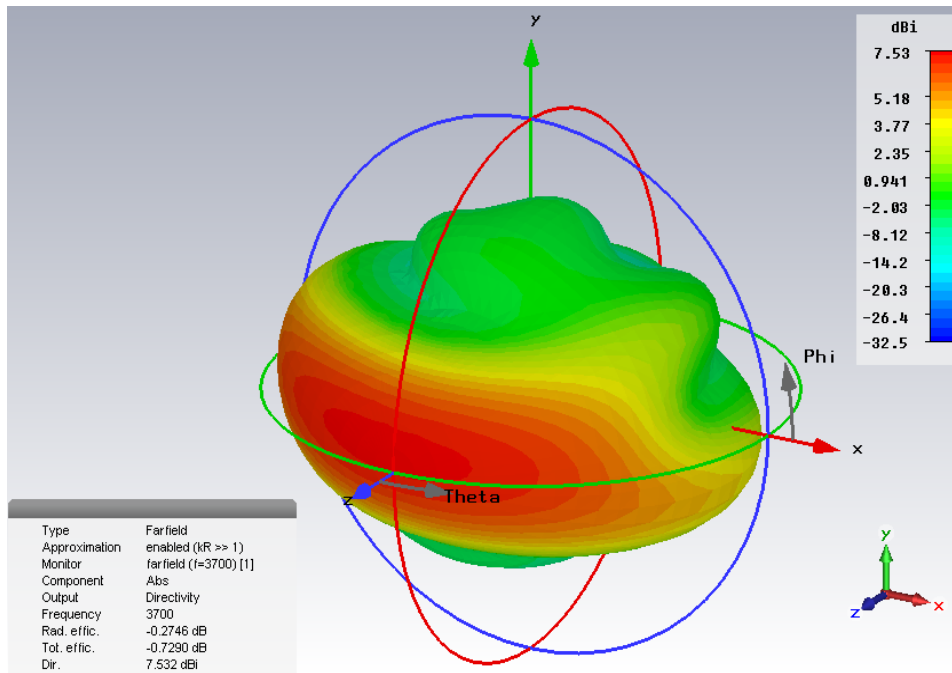
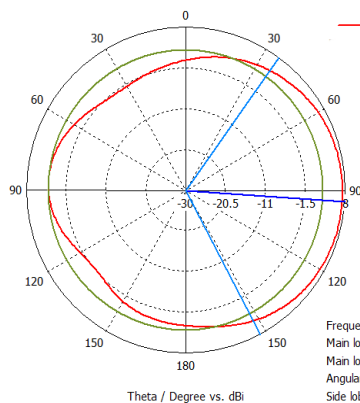
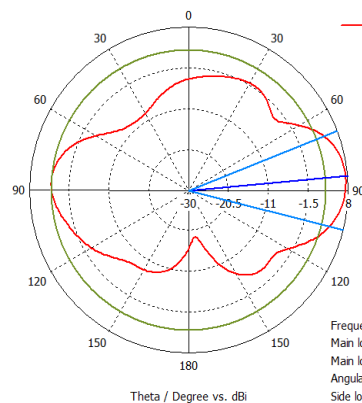
DESCRIPTION

**Vehicular 4 array MIMO antenna,
 in band 5G, frequency range
 3.4-3.6 GHz, 3.6-3.8 GHz e 4.5-4.7 GHz**



Boreas 3.5 GHz
Boreas 3.7 GHz
Boreas 4.6 GHz

P/N: E21-000
P/N: E20-000
P/N: E30-000

3D radiating pattern (hub 1 3700 MHz)**Radiating patterns****H-Plane****E-Plane**

L'azienda produttrice si riserva di apportare modifiche e miglioramenti in qualsiasi momento senza obbligo di preavviso
 The manufacturer reserves the right to change or improve this documentation at all times and without notice.

ANT S.r.l.

Via della Concordia, 4 – 37036
S. Martino B/A (VR) - Italia
Tel. +39 045 8781380
Fax +39 045 8795335
e-mail: commerciale@antsrl.eu
www.antsrl.eu

DESCRIPTION

**Vehicular 4 array MIMO antenna,
in band 5G, frequency range
3.4-3.6 GHz, 3.6-3.8 GHz e 4.5-4.7 GHz**



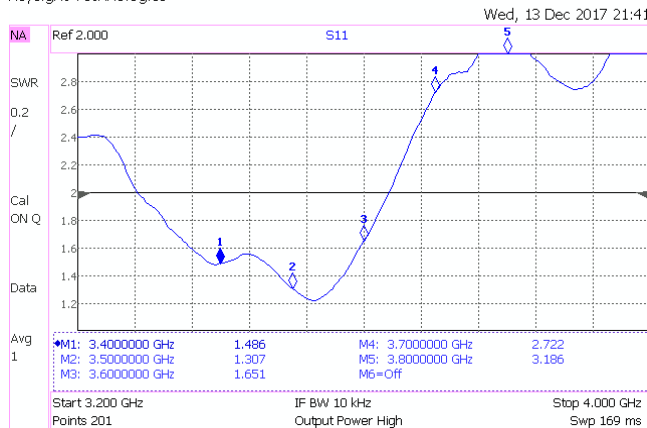
Boreas 3.5 GHz
Boreas 3.7 GHz
Boreas 4.6 GHz

P/N: E21-000
P/N: E20-000
P/N: E30-000

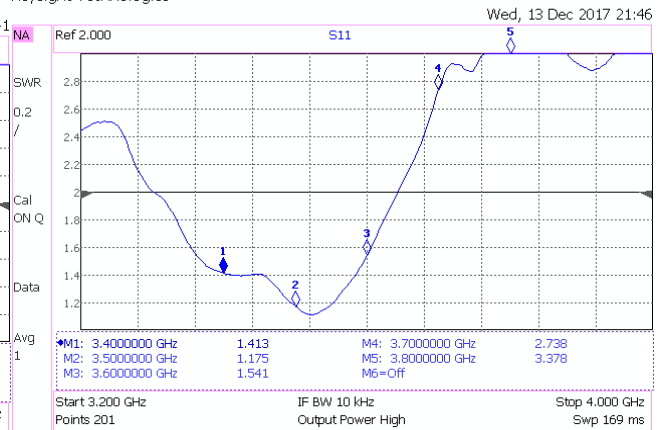
VSWR patterns

Keysight Technologies

Keysight Technologies



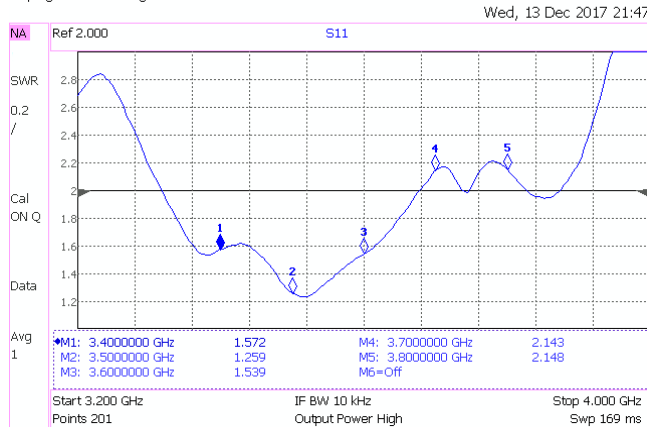
Hub 1 polarisation +45°



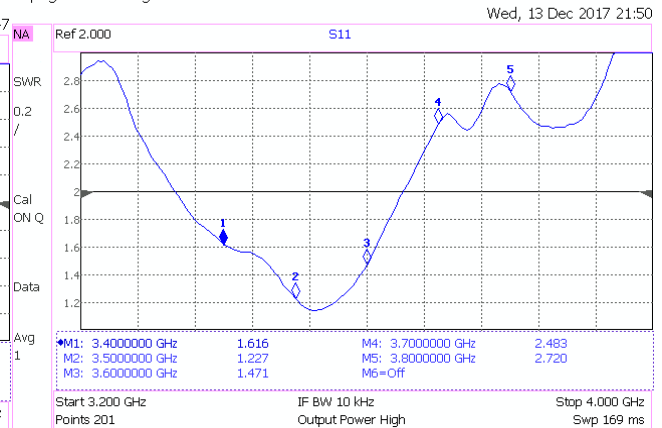
Hub 2 polarisation -45°

Keysight Technologies

Keysight Technologies




Hub 3 polarisation +45°



Hub 4 polarisation -45°

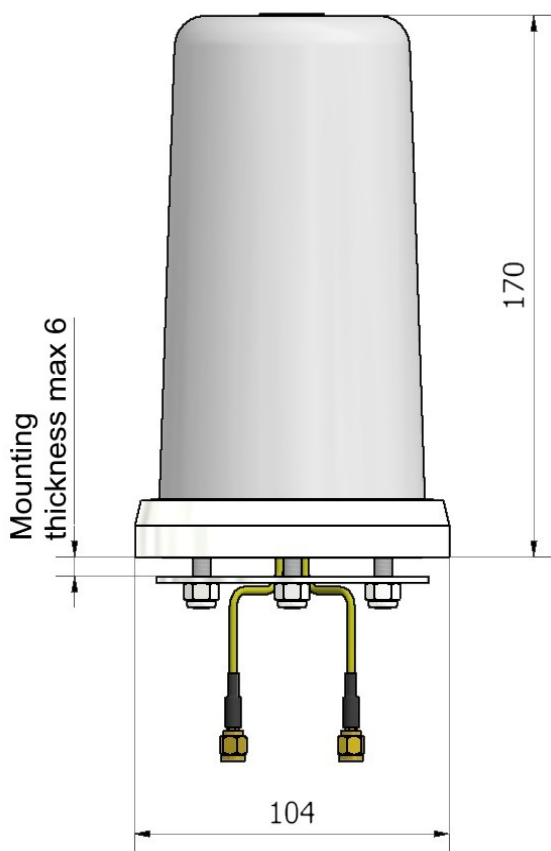
L'azienda produttrice si riserva di apportare modifiche e miglioramenti in qualsiasi momento senza obbligo di preavviso
The manufacturer reserves the right to change or improve this documentation at all times and without notice.

<p>ANT S.r.l. Via della Concordia, 4 – 37036 S. Martino B/A (VR) - Italia Tel. +39 045 8781380 Fax +39 045 8795335 e-mail: commerciale@antsrl.eu www.antsrl.eu</p>	<p style="text-align: center;">DESCRIPTION</p> <p style="text-align: center;">Vehicular 4 array MIMO antenna, in band 5G, frequency range 3.4-3.6 GHz, 3.6-3.8 GHz e 4.5-4.7 GHz</p>	
---	--	---

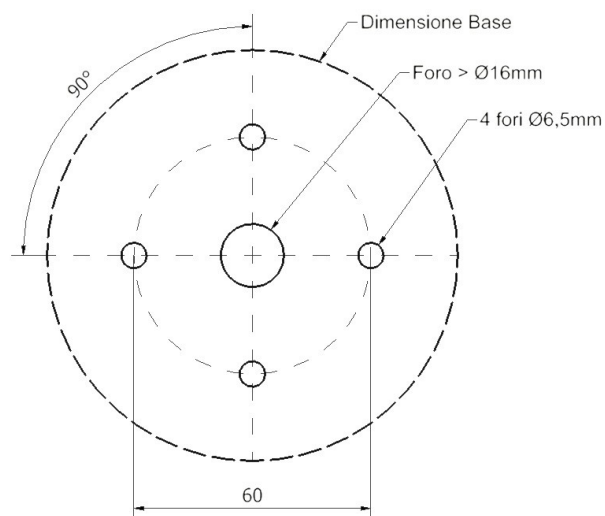
Boreas 3.5 GHz
Boreas 3.7 GHz
Boreas 4.6 GHz

P/N: E21-000
P/N: E20-000
P/N: E30-000

APPROXIMATE DIMENSIONS
(Not to scale)



DRILLING JIG
(Dimensions not to scale)



ITS NAME:

Boreas: *In Greek mythology Boreas (in Greek Βορέας) is the embodiment of the Northern Wind, son of the Titan Astraeus and of Eos, the goddess of dawn, and brother to Notus, Apeliotes and Zephyrus*

L'azienda produttrice si riserva di apportare modifiche e miglioramenti in qualsiasi momento senza obbligo di preavviso
The manufacturer reserves the right to change or improve this documentation at all times and without notice.